

Drawing



Tools for Chefs

Hendi B.V.

Steenoven 21  
3911 TX Rhenen  
The Netherlands

Batch #

181295 and up

Appliance part#

233979

Description

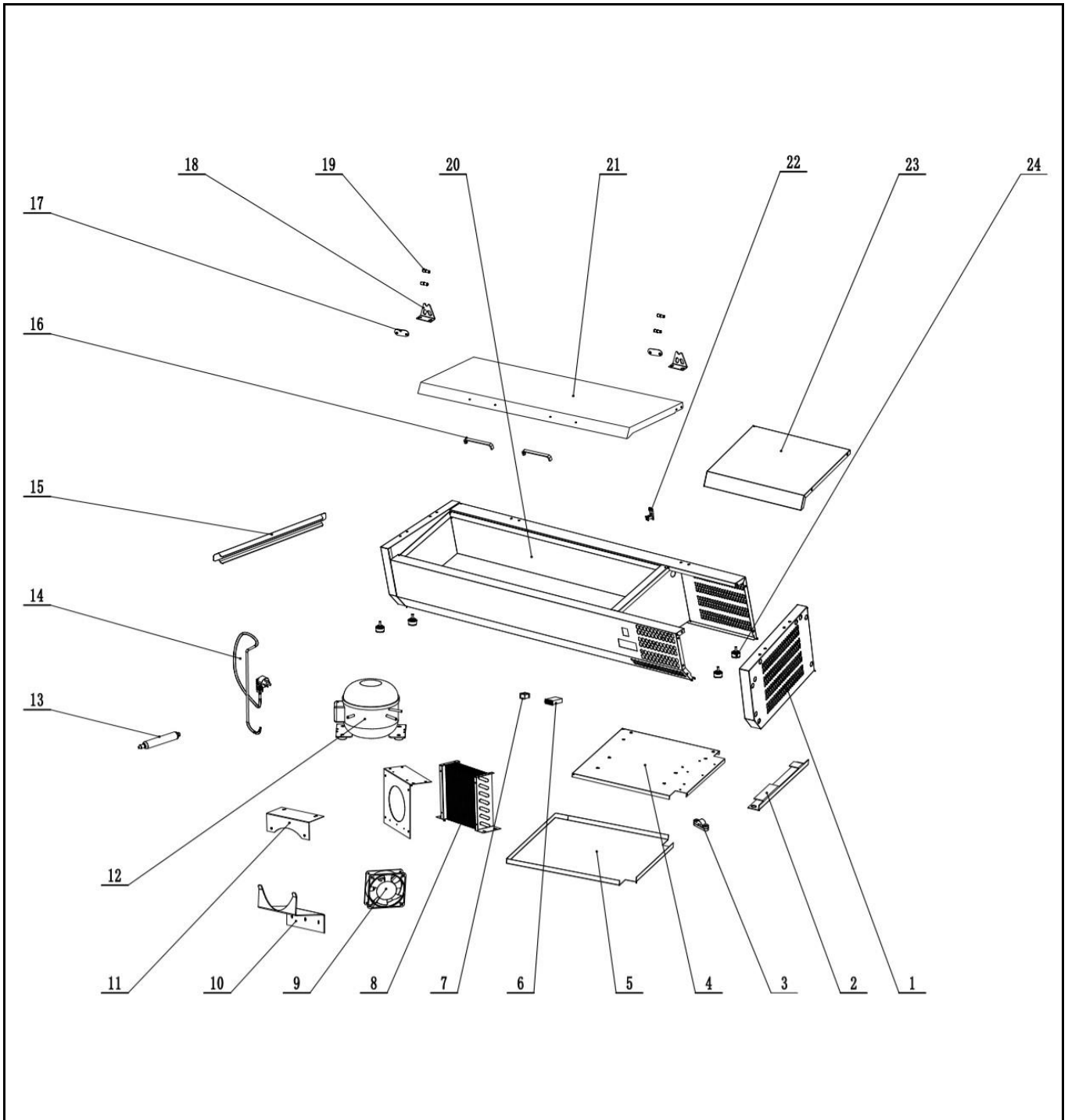
Refrigerated countertop server 7x GN $\frac{1}{3}$   
with stainless steel lid

Date 19-08-2020


Revision #

1.0

Revision First Bill of Materials (BOM)



### Bill of materials (BOM)

 <b style="font-size: 24px; margin-left: 10px;">HENDI</b> <small style="color: green; margin-left: 10px;">Tools for Chefs</small> <b>Hendi B.V.</b> Steenoven 21 3911 TX Rhenen The Netherlands	<b>Batch #</b>	<b>Appliance part#</b>
	181295 and up	<b>233979</b>
	<b>Description</b>	
Refrigerated countertop server 7x GN $\frac{1}{3}$ with stainless steel lid		


<b>Date</b>	19-08-2020	<b>Revision #</b>	1.0
<b>Revision</b>	First Bill of Materials (BOM)		

Item	Description	Part#	Quantity	Remark	Picture
1	Side cover	n/a	1		
2	Bracket side cover	n/a	1		
3	Pull relief	n/a	1		
4	Bracket	n/a	1		
5	Bottom cover	n/a	1		
6	Digital controller	956366	1		
7	Switch	205426	1		
8	Condensor	n/a	1		
9	Fan	931875	1		
10	Lower bracket fan	n/a	1		
11	Upper bracket fan	n/a	1		
12	Compressor (HYB81MHUa)	n/a	1		
13	Dryer filter	n/a	1		
14	Power cord	931554	1		
15	Adapter bar	952313	7	(25x330mm)	
16	Lid handle	956786	2		
17	Support plate	n/a	4		
18	Hinge	n/a	2		
19	Hinge axis	n/a	4		
20	Frame	n/a	1		
21	Lid	n/a	1		
22	Holder probe	n/a	1		
23	Top cover	n/a	1		
24	Feet	931523	4		

n/a -> not available

nss -> not sold separately

### Circuit diagram

 <b style="font-size: 24px; margin-left: 10px;">HENDI</b> <span style="color: #92D050; font-size: 12px; margin-left: 10px;">Tools for Chefs</span> <b>Hendi B.V.</b> Steenoven 21 3911 TX Rhenen The Netherlands	<b>Batch #</b>	<b>Appliance part#</b>
	181295 and up	<b>233979</b>
	<b>Description</b>	
	Refrigerated countertop server 7x GN $\frac{1}{3}$ with stainless steel lid	

<b>Date</b>	19-08-2020	<b>Revision #</b>	1.0
<b>Revision</b>	First Bill of Materials (BOM)		

