

Drawing



Tools for Chefs

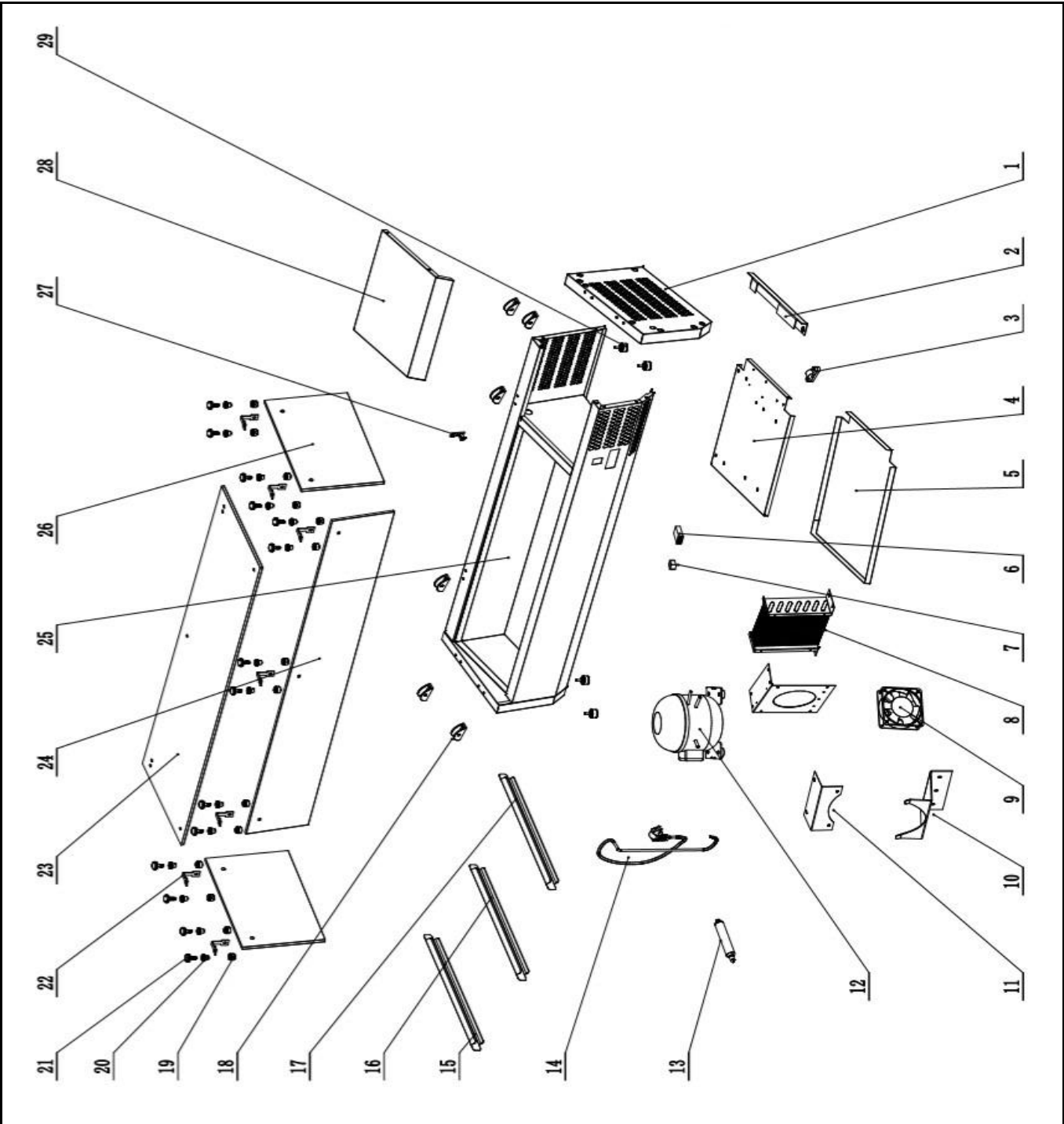
Hendi B.V.  
 Steenoven 21  
 3911 TX Rhenen  
 The Netherlands

Batch #  
 181697 and up


Appliance part#  
**232965**

Description  
 Refrigerated countertop server 4x GN $\frac{1}{3}$

Date	19-08-2020	Revision #	1.0
Revision	First Bill of Materials (BOM)		



### Bill of materials (BOM)

 <b style="font-size: 24px; margin-left: 10px;">HENDI</b> <span style="font-size: 12px; color: green; margin-left: 10px;">Tools for Chefs</span> <b>Hendi B.V.</b> Steenoven 21 3911 TX Rhenen The Netherlands	<b>Batch #</b>	<b>Appliance part#</b>
	181697 and up	<b>232965</b>
	<b>Description</b>	
<b>Refrigerated countertop server 4x GN<math>\frac{1}{3}</math></b>		

<b>Date</b>	19-08-2020	<b>Revision #</b>	1.0
<b>Revision</b>	First Bill of Materials (BOM)		

Item	Description	Part#	Quantity	Remark	Picture
1	Side cover	n/a	1		
2	Bracket side cover	n/a	1		
3	Pull relief	n/a	1		
4	Bracket	n/a	1		
5	Bottom cover	n/a	1		
6	Digital controller	956366	1		
7	Switch	205426	1		
8	Condensor	n/a	1		
9	Fan	931875	1		
10	Lower bracket fan	n/a	1		
11	Upper bracket fan	n/a	1		
12	Compressor (HYB81MHUa)	n/a	1		
13	Dryer filter	n/a	1		
14	Power cord	931554	1		
15	Adaptor bar	956595	1	(150x330mm)	
16	Adaptor bar	956601	1	(62x330mm)	
17	Adaptor bar	952313	3	(25x330mm)	
18	Fixture glass	931639	6		
19	Nut	nss	14	Available as 931646	
20	Stand-off	nss	14	Available as 931646	
21	Screw	nss	14	Available as 931646	
22	Angle bracket	931646	7	Incl item 19,21,20 (sold as per set)	
23	Upper glass plate	956632	1	(1193x195x8mm)	
24	Back glass plate	956649	1	(1170x195x8mm)	
25	Frame	n/a	1		
26	Left / right glass plate	956656	2	(390x195x8mm)	
27	Holder probe	n/a	1		
28	Upper cover	n/a	1		
29	Feet	931523	4		

n/a -> not available

nss -> not sold separately

Circuit diagram



**Hendi B.V.**  
 Steenoven 21  
 3911 TX Rhenen  
 The Netherlands

Tools for Chefs

Batch #

181697 and up

Appliance part#

232965

Description

Refrigerated countertop server 4x GN $\frac{1}{3}$

Date 19-08-2020

Revision # 1.0

Revision First Bill of Materials (BOM)

