

Drawing



Tools for Chefs

Hendi B.V.
Steenoven 21
3911 TX Rhenen
The Netherlands

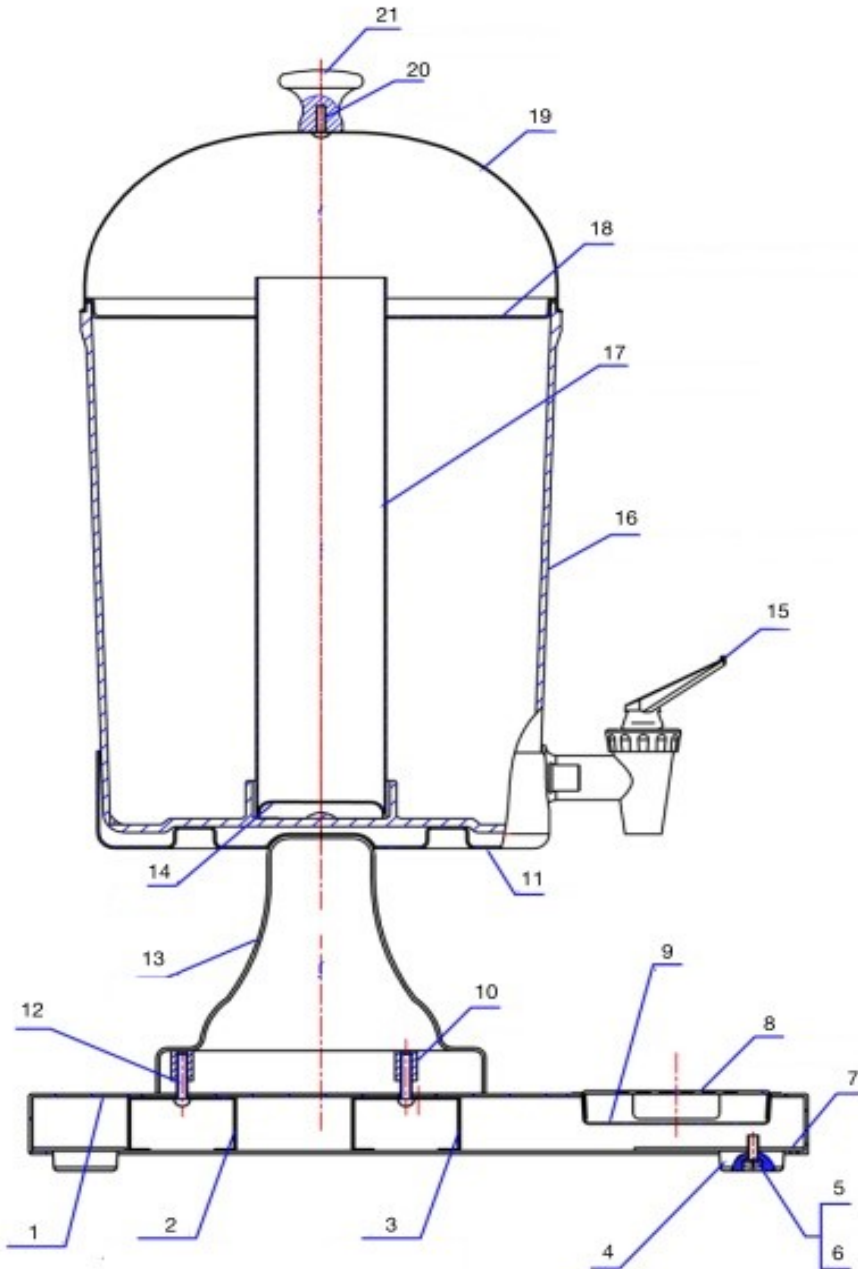
Batch #
HK014719 and
up

Appliance part#
425299


Description

Juice dispenser 8L

Date	11-06-2020	Revision #	1.2
Revision	New model, introduced from July 2019		



Bill of materials (BOM)

 HENDI Tools for Chefs Hendi B.V. Steenoven 21 3911 TX Rhenen The Netherlands	Batch #	Appliance part#
	HK014719 and up	425299
	Description	
Juice dispenser 8L		

Date	11-06-2020	Revision #	1.2
Revision	New model, introduced from July 2019		

Item	Description	Part#	Quantity	Remark	Picture
1	Frame base	n/a	1		
2	Bracket	n/a	1		
3	Bracket	n/a	1		
4	Foot	n/a	4		
5	Screw	n/a	4		
6	Washer	n/a	4		
7	Bracket	n/a	4		
8	Drip tray grid	901649	1	Incl item 9	
9	Drip tray	nss	1	Available as 901649	
10	Nut	n/a	2		
11	Base	n/a	1		
12	Screw	n/a	2		
13	Standard	n/a	1		
15	Faucet (incl gasket)	948118	1		
16	Container	948125	1	(including two knobs)	
17	Ice tube	901632	1		
18	Holder ice tube	901687	1		
19	Lid including knob	901601	1	Incl item 20 and 21	
20	Screw	nss	1		
21	Knob	nss	1		

n/a -> not available

nss -> not sold separately