

Drawing



Hendi B.V.
Steenoven 21
3911 TX Rhenen
The Netherlands

Batch #

000000

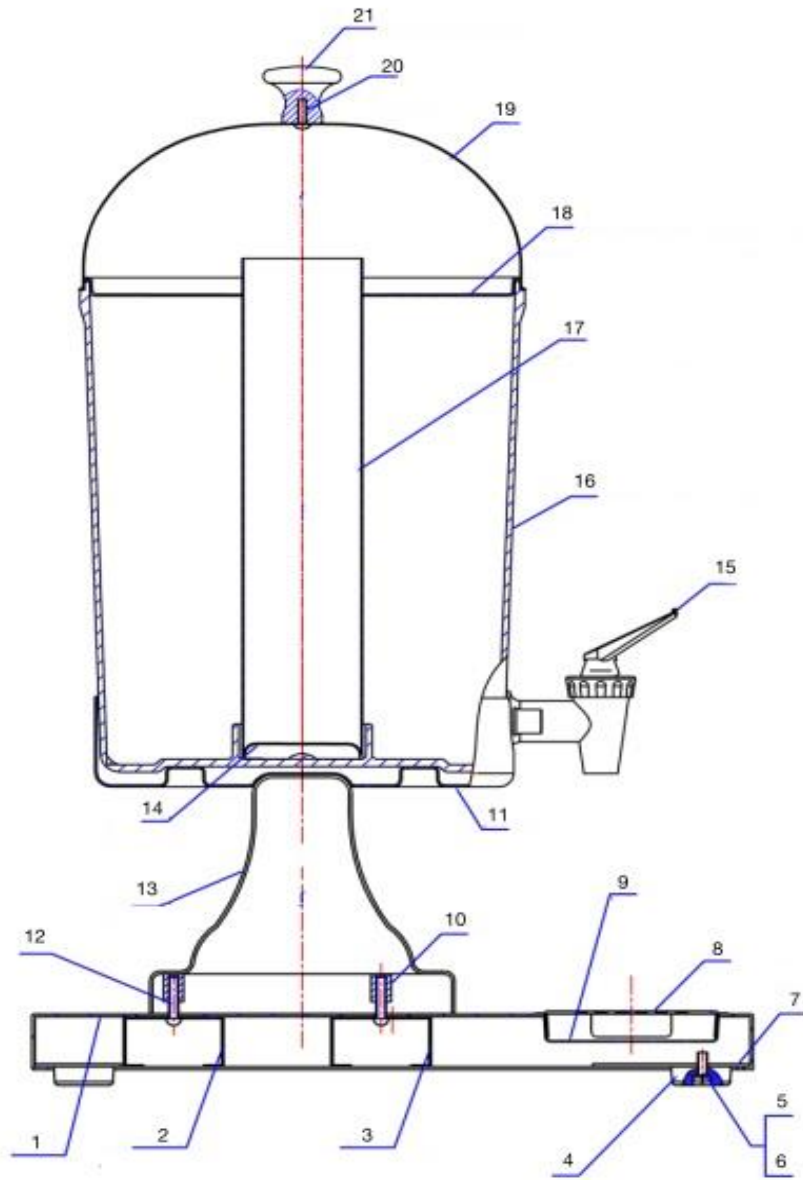
Appliance part#

425299


Description

Juice dispenser

Date	09-04-2019	Revision #	Revision version
Revision	First bill of materials (BOM), old model with completely black faucet and container without handles.		



Bill of materials (BOM)

 Hendi B.V. Steenoven 21 3911 TX Rhenen The Netherlands	Batch #	Appliance part#
	000000	425299
	Description	
	Juice dispenser	

Date	09-04-2019	Revision #	Revision version
Revision	First bill of materials (BOM), old model with completely black faucet and container without handles. september 2018.		Before

Item	Description	Part#	Quantity	Remark	Picture
1	Frame base	n/a	1		
2	Bracket	n/a	1		
3	Bracket	n/a	1		
4	Foot	n/a	4		
5	Screw	n/a	4		
6	Washer	n/a	4		
7	Bracket	n/a	4		
8	Drip tray	901649	1		
9	Fixed tray	n/a	2		
10	Nut	n/a	2		
11	Base	n/a	1		
12	Screw	n/a	2		
13	Standard	n/a	1		
15	Faucet (incl gasket)	931141	1	Completely black	
16	Container	901625	1	Without handles	
17	Ice tube	901632	1		
18	Holder ice tube	901687			
19	Lid including knob	901601	1	Incl item 20 and 21	
20	Screw	nss	1		
21	Knob	nss	1		

n/a -> not available

nss -> not sold separately