

Drawing



Tools for Chefs

Hendi B.V.
Steenoven 21
3911 TX Rhenen
The Netherlands

Batch #

HK020321 and
up

Appliance part#

205822

Description

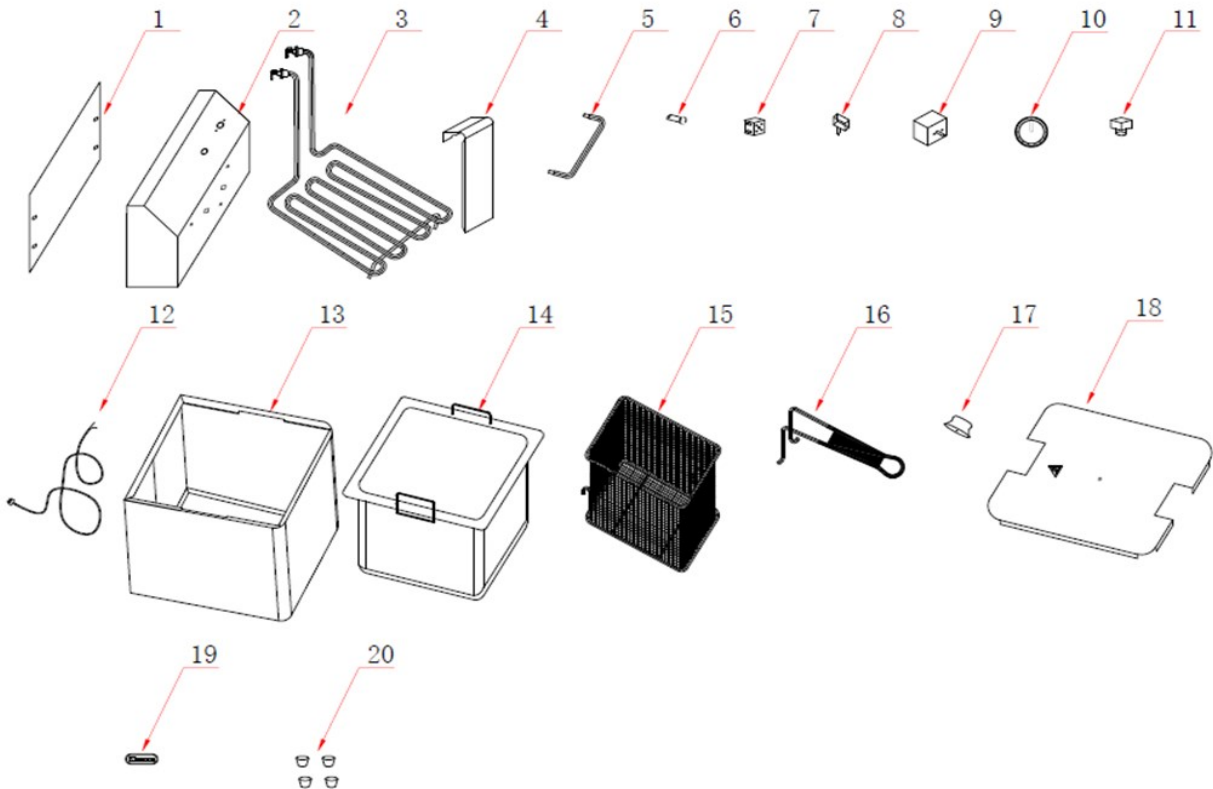
Deep fryer 8L Blue Line

Date 11-05-2021


Revision #

1.1

Revision Updated control panel.



Bill of materials (BOM)

 <b style="font-size: 24px; margin-left: 10px;">HENDI <small style="color: green; margin-left: 10px;">Tools for Chefs</small> Hendi B.V. Steenoven 21 3911 TX Rhenen The Netherlands	Batch #	Appliance part#
	HK020321 and up	205822
	Description	
	Deep fryer 8L Blue Line	


Date	11-05-2021	Revision #	1.1
Revision	Updated control panel.		

Item	Description	Part#	Quantity	Remark	Picture
1	Back cover	n/a	1		
2	Front cover	n/a	1		
3	Heating element	930649	1		
4	Heating element cover	n/a	1		
5	Bracket	n/a	1		
6	Indicator light (orange)	930533	1		
7	Terminal	930540	1		
8	Microswitch	930571	1		
9	Thermostat	930557	1		
10	Knob thermostat	934852	1		
11	Hi-limiter	930595	1		
12	Power cord	912027	1		
13	Fryer basin	n/a	1		
14	Fryer basin	n/a	1		
15	Fryer basket	930656	1	Incl. item 16	
16	Fryer basket handle	nss	1	Available as 930632	
17	Knob for lid	940402	1		
18	Lid	n/a	1		
19	Logo badge Hendi	955963	1		
20	Feet	930588	1	Set of 4	
*	Probe holder	930663	2		

n/a -> not available

nss -> not sold separately

Circuit diagram

 <b style="font-size: 24px; margin-left: 10px;">HENDI Tools for Chefs Hendi B.V. Steenoven 21 3911 TX Rhenen The Netherlands	Batch #	Appliance part#
	HK020321 and up	205822
	Description	
	Deep fryer 8L Blue Line	

Date	11-05-2021	Revision #	1.1
Revision	Updated control panel.		

