
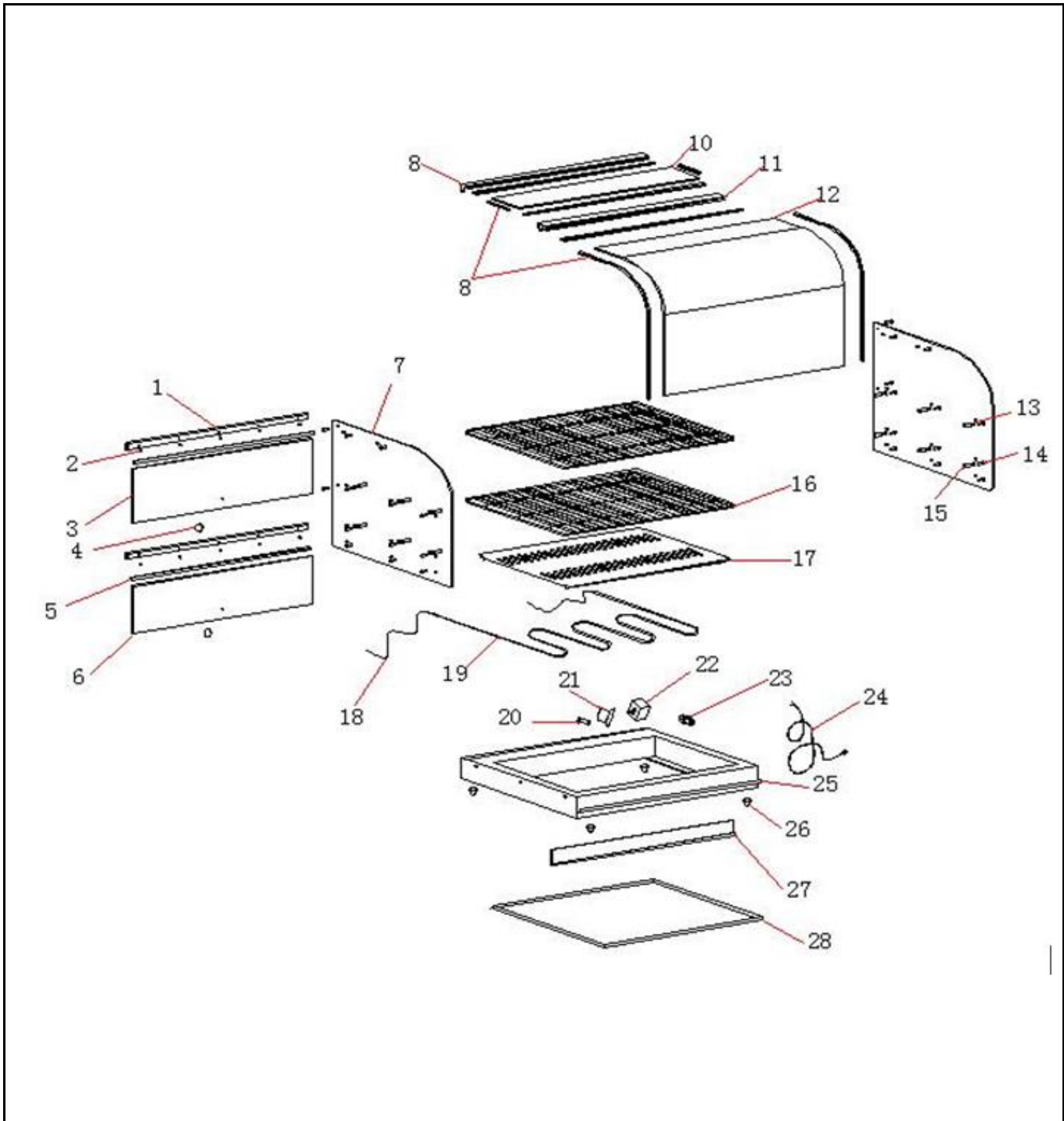



Drawing

 <p><b>Hendi B.V.</b> Steenoven 21 3911 TX Rhenen The Netherlands</p>	Batch #	Appliance part#
	Batch nr 300018 and up	<b>273999</b>
	Description	
	Heated showcase two levels	

Date	20-05-2016	Revision #	Revision version
Revision	First bill of materials (BOM)		



### Bill of materials (BOM)

 <b>Hendi B.V.</b> Steenoven 21 3911 TX Rhenen The Netherlands	<b>Batch #</b>	<b>Appliance part#</b>
	Batch nr 300018 and up	<b>273999</b>
	<b>Description</b>	
	<b>Heated showcase two levels</b>	


<b>Date</b>	23-05-2016	<b>Revision #</b>	Revision version
<b>Revision</b>	First bill of materials (BOM)		

Item	Description	Part#	Quantity	Remark	Picture
1	U bracket	n/a	2		
2	Socket screw M4x3	n/a	10		
3	Upper door glass	940372	1		
4	Door knob	940303	2		
5	Silicone strip	n/a	2		
6	Lower glass door	940389	1		
7	Glass side (left/right)	939895	2		
8	L bracket	n/a	1		
9	Silicone strip set	940365	1		
10	Top glass	940310	1		
11	Bracket	n/a	1		
12	Front glass	939888	1		
13	Nylon insert	n/a	22		
14	Screw M6x15	n/a	22		
15	Holder grid	n/a	12		
16	Upper grid	933121	2		
17	Lower grid	932865	1		
18	Wiring	n/a	1		
19	Element 400W	940327	1		
20	Indicator light yellow	912003	1		
21	Knob thermostat	940334	1		
22	Thermostat 85°C	900635	1		
23	Cord inlet with retainer	912201	1		
24	Power cord	205303	1		
25	Housing	n/a	1		
26	Feet	n/a	4		
27	Silicone strip	n/a	1		
28	Crumb tray	940341	1		

n/a -> not available

nss -> not sold separately

### Circuit diagram

 <b>HENDI</b> FOOD SERVICE EQUIPMENT <b>Hendi B.V.</b> Steenoven 21 3911 TX Rhenen The Netherlands	<b>Batch #</b>	<b>Appliance part#</b>
	Batch nr 300018 and up	<b>273999</b>
	<b>Description</b>	
	Heated showcase two levels	

<b>Date</b>	20-05-2016	<b>Revision #</b>	Revision version
<b>Revision</b>	First bill of materials (BOM)		

