

Drawing



Tools for Chefs

Hendi B.V.  
 Steenoven 21  
 3911 TX Rhenen  
 The Netherlands

Batch #  
 HK170677 until  
 HK052719

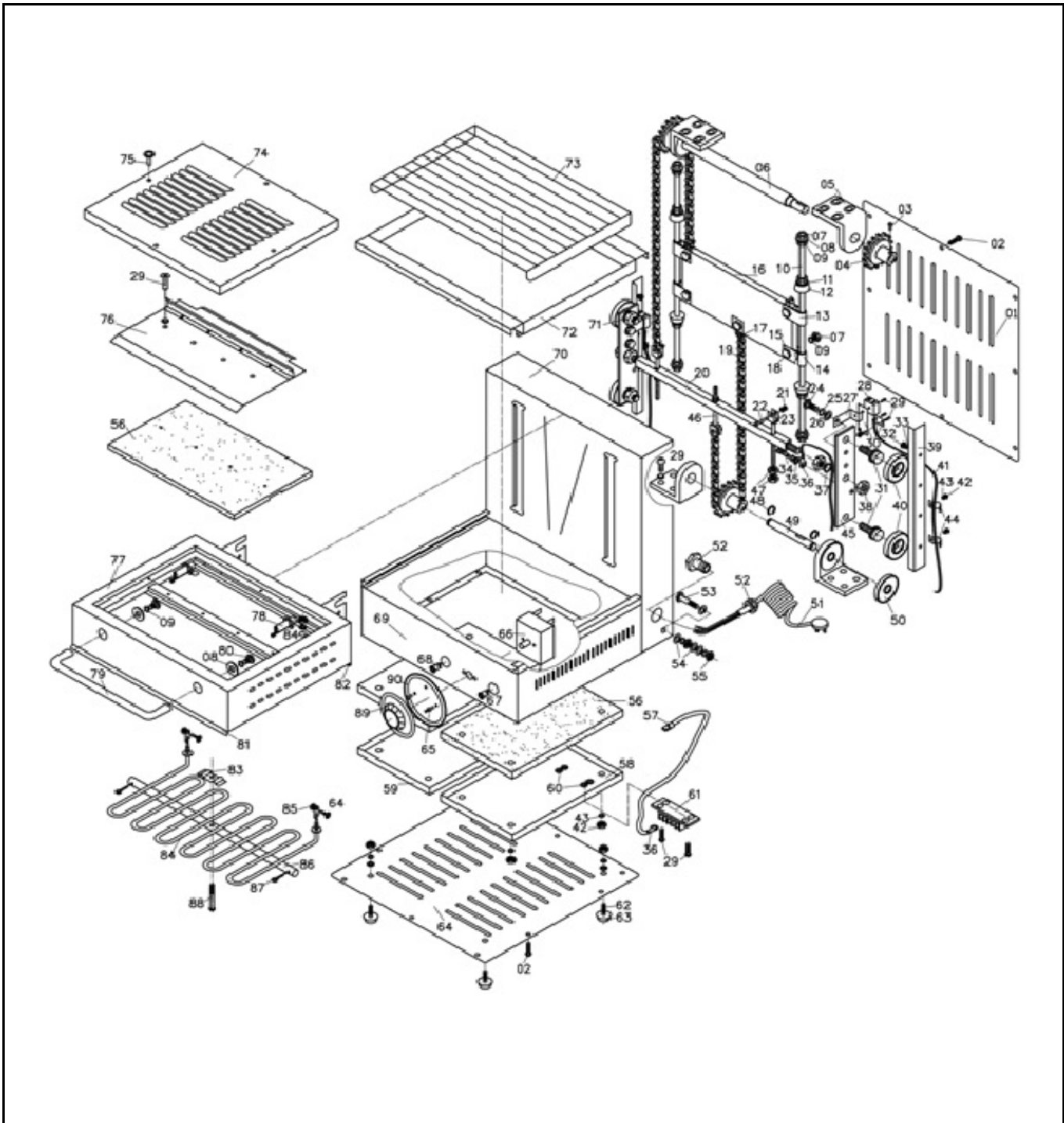
Appliance part#

264607


Description

Salamander 450

Date	04-05-2021	Revision #	1.1
Revision	Updated format, new knob.		



**Bill of materials (BOM)**

 <b>HENDI</b> Tools for Chefs <b>Hendi B.V.</b> Steenoven 21 3911 TX Rhenen The Netherlands	<b>Batch #</b>	<b>Appliance part#</b>
	HK170677 until HK052719	<b>264607</b>
	<b>Description</b>	
	Salamander 450	

<b>Date</b>	04-05-2021	<b>Revision #</b>	1.1
<b>Revision</b>	Updated format, new knob.		


Item	Description	Part#	Quantity	Remark	Picture
1	Back housing cover	n/a	1		
2	Screw for back housing cover	n/a	6		
3	Screw	n/a	1		
4	Gear	n/a	2		
5	Bracket	n/a	2		
6	Axle	n/a	1		
7	Nut	n/a	2		
8	Washer	n/a	2		
9	Spring washer	n/a	2		
10	Guide bar counterweight	n/a	2		
11	Rubber washer	n/a	2		
12	Rubber stud	n/a	2		
13	Glider	n/a	2		
14	Bushing	n/a	4		
15	Bracket	n/a	2		
16	Counterweight	n/a	1		
17	Bracket	n/a	1		
18	Bolt	n/a	1		
19	Chain	n/a	1		
20	Suspension bracket	n/a	1		
21	Nut	n/a	2		
22	Screw	n/a	1		
23	Bracket for chain	n/a	1		
24	Bolt	n/a	1		
25	Spring washer	n/a	1		
26	Washer	n/a	1		
27	Bracket	n/a	1		
28	Terminal bracket	n/a	1		
29	Screw	n/a	4		
30	Insulation plate	n/a	1		
31	Axle pin	n/a	2		
32	Nut	n/a	1		
33	Spring washer	n/a	1		
34	Screw	n/a	1		
35	Washer	n/a	1		
36	Pulley	n/a	1		
37	Spring washer	n/a	1		
38	Nut	n/a	1		
39	Guide rail	n/a	2		
40	Bearing	n/a	2		
41	Spring tread tube	930052	2		
42	Nut	n/a	1		
43	Spring washer	n/a	1		
44	Bracket	n/a	1		
45	Bracket	n/a	1		
46	Bolt	n/a	1		
47	Nut	n/a	1		
48	Ring	n/a	2		
49	Axle	n/a	1		
50	Bearing	n/a	2		
51	Power cord	912027	1		
52	Cord inlet with retention	912201	1		
53	PE connector screw	n/a	1		
54	PE connector washer	n/a	1		

55	PE connector screw	n/a	1		
56	Insulation plate	n/a	1		
57	Wire jacket	n/a	1		
58	Insulation cover plate	n/a	1		
59	Insulation cover plate	n/a	1		
60	Nut	n/a	8		
61	Bracket	n/a	1		
62	Bolt	n/a	4		
63	Foot	n/a	4		
64	Bottom housing cover	n/a	1		
65	Bottom housing cover screw	n/a	6		
66	Energy regulator	201121	1		
67	Indicator light (orange)	912003	1		
68	Indicator light (green)	205471	1		
69	Housing	n/a	1		
70	Housing (back)	n/a	1		
71	Washer	n/a	2		
72	Drip tray	901694	1		
73	Grid	926802	1		
74	Upper housing cover	n/a	1		
75	Screw	n/a	4		
76	Insulation cover plate	n/a	1		
77	Upper housing	n/a	1		
78	Porecelain bracket	n/a	2		
79	Handle	927540	1	Incl. item 80	
80	Screw for handle	nss	2		
81	Bracket (front)	n/a	1		
82	Bracket (back)	n/a	1		
83	Heating element clip	n/a	2		
84	Heating element	901700	1		
85	Nut	n/a	2		
86	Support	n/a	1		
87	Cotter pin	n/a	2		
88	Screw	n/a	2		
89	Knob	n/a	1	Knob updated to new design (904466)	
90	Base plate with graduation ring	nss	1	Available as 904466	

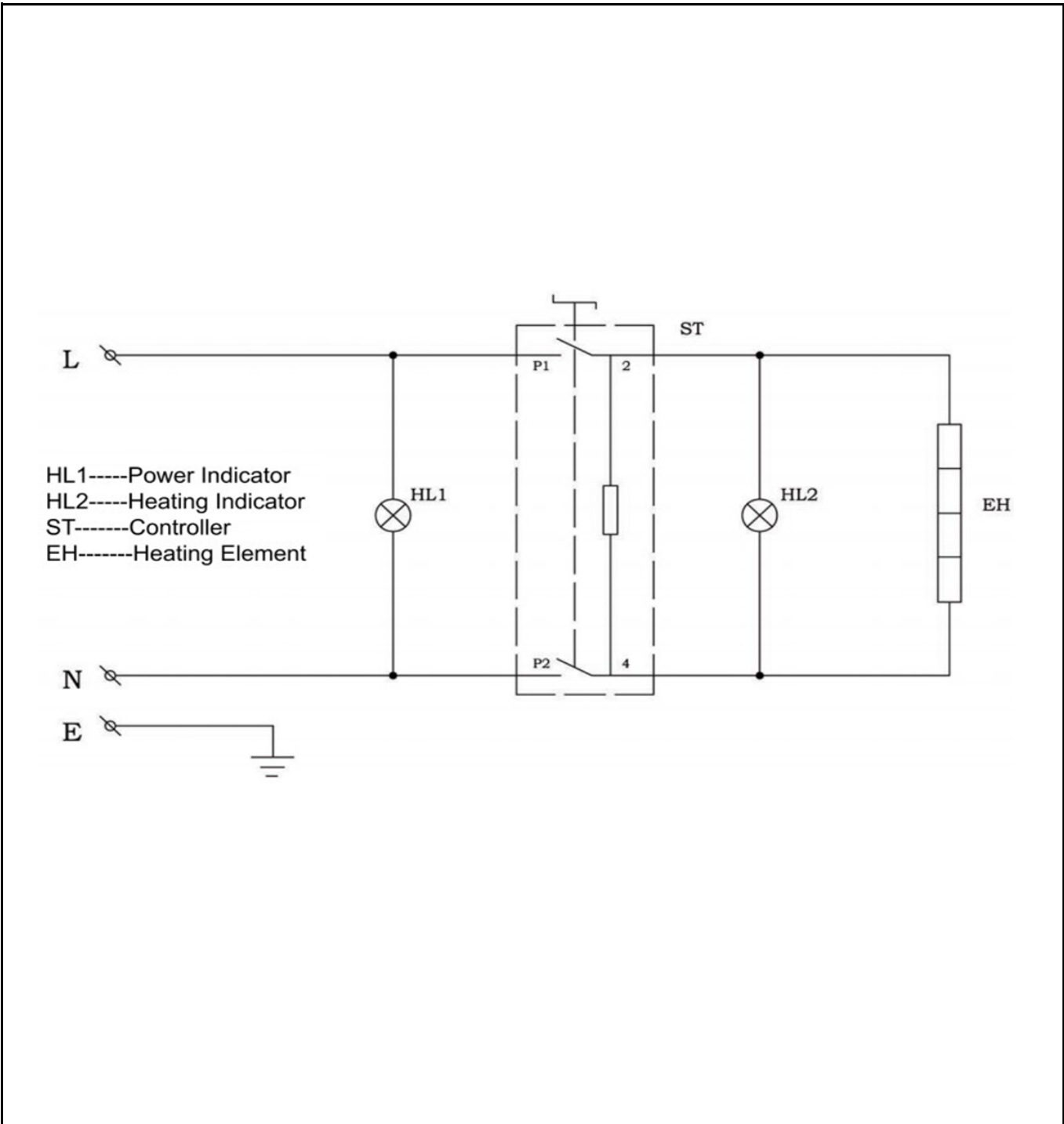
n/a -> not available

nss -> not sold separately


### Circuit diagram

 <b style="font-size: 24px; margin-left: 10px;">HENDI</b> <span style="font-size: 12px; color: #808000; margin-left: 10px;">Tools for Chefs</span> <b>Hendi B.V.</b> Steenoven 21 3911 TX Rhenen The Netherlands	<b>Batch #</b>	<b>Appliance part#</b>
	HK170677 until HK052719	<b>264607</b>
	<b>Description</b>	
<b>Salamander 450</b>		

<b>Date</b>	04-05-2021	<b>Revision #</b>	1.1
<b>Revision</b>	Updated format, new knob.		



# Wiring diagram

 <b>HENDI</b> Tools for Chefs Hendi B.V. Steenoven 21 3911 TX Rhenen The Netherlands	<b>Batch #</b> HK170677 until HK052719	<b>Appliance part#</b> <b>264607</b>
	<b>Description</b>	
	Salamander 450	

<b>Date</b>	04-05-2021	<b>Revision #</b>	1.1
<b>Revision</b>	Updated format, new knob.		

