

Drawing



Tools for Chefs

Hendi B.V.  
 Steenoven 21  
 3911 TX Rhenen  
 The Netherlands

Batch #

000000 until  
 662004

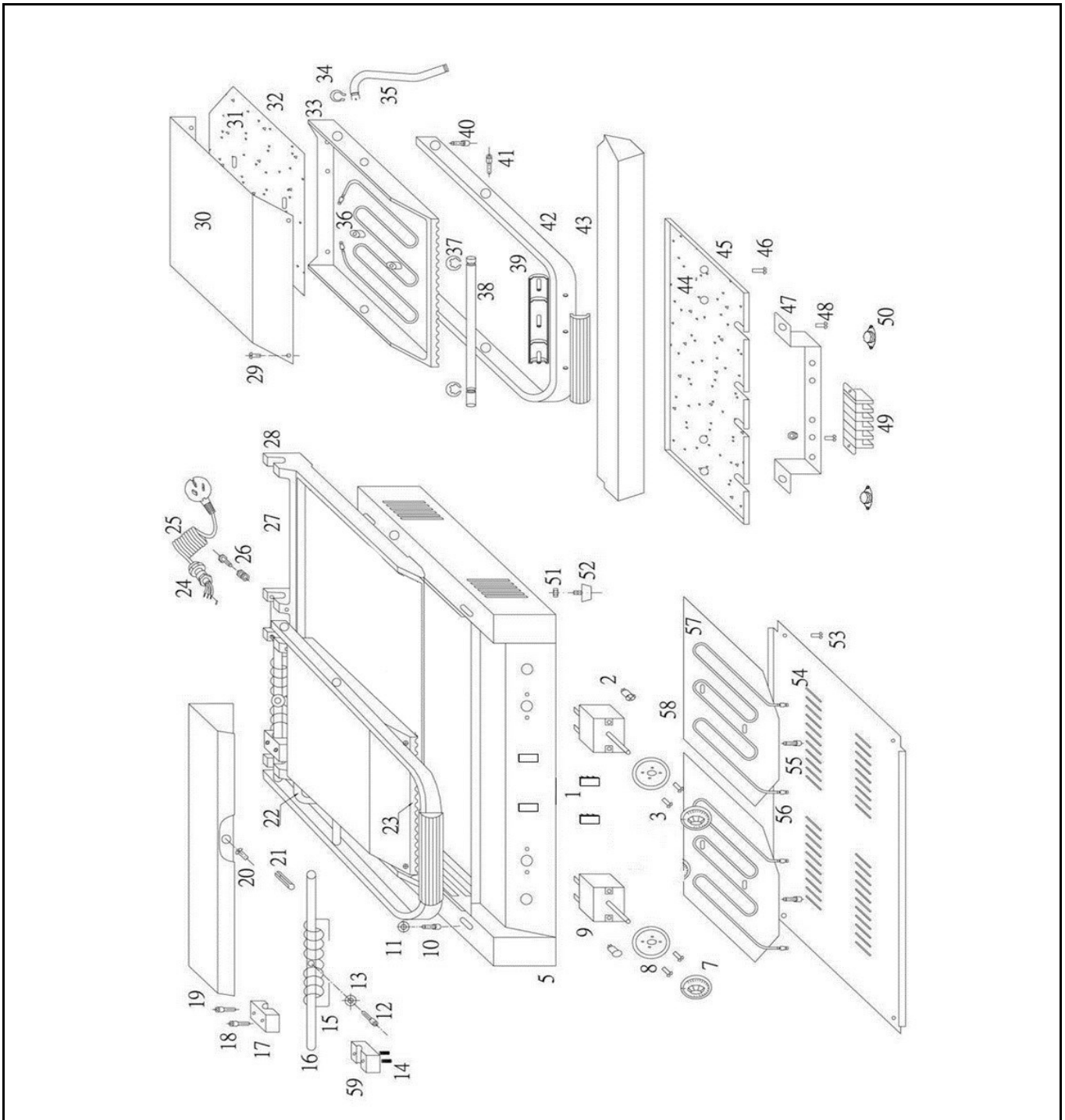
Appliance part#

263907


Description

Contact grill double  
 1/2 ribbed, 1/2 smooth

|          |                               |            |     |
|----------|-------------------------------|------------|-----|
| Date     | 20-05-2021                    | Revision # | 1.0 |
| Revision | First Bill of Materials (BOM) |            |     |



### Bill of materials (BOM)

|  |  |                        |
|--|--|------------------------|
|  <b style="font-size: 24px; margin-left: 10px;">HENDI</b><br><span style="font-size: 12px; color: green; margin-left: 10px;">Tools for Chefs</span><br><b>Hendi B.V.</b><br>Steenoven 21<br>3911 TX Rhenen<br>The Netherlands | <b>Batch #</b>                                 | <b>Appliance part#</b> |
|  | 000000 until<br>662004                         | <b>263907</b>          |
|  | <b>Description</b>                             |                        |
|  | Contact grill double<br>1/2 ribbed, 1/2 smooth |                        |


|                 |                               |                   |     |
|-----------------|-------------------------------|-------------------|-----|
| <b>Date</b>     | 20-05-2021                    | <b>Revision #</b> | 1.0 |
| <b>Revision</b> | First Bill of Materials (BOM) |                   |     |

| Item | Description                             | Part#  | Quantity | Remark                | Picture |
|------|---|--------|----------|-----------------------|---------|
| 1    | Switch                                  | 902080 | 2        |                       |         |
| 2    | Heating indicator                       | 912003 | 2        |                       |         |
| 3    | Crosshead screw                         | n/a    | 4        |                       |         |
| 5    | Housing                                 | n/a    | 1        |                       |         |
| 7    | Knob thermostat                         | 904411 | 2        | Incl item 7;8         |         |
| 8    | Base plate with dail                    | nss    | 2        |                       |         |
| 9    | Thermostat                              | 902011 | 2        |                       |         |
| 10   | Inner hexagon screw                     | n/a    | 4        |                       |         |
| 11   | Washer                                  | n/a    | 4        |                       |         |
| 12   | Inner hexagon screw                     | 902202 | 2        | Incl item 12;13       |         |
| 13   | Washer                                  | nss    | 2        | Available as 902202   |         |
| 14   | Tension spring for brake shoe           | nss    | 4        | Available as 902097   |         |
| 15   | Torsion spring                          | 901908 | 2        |                       |         |
| 16   | Back axle                               | 912195 | 2        |                       |         |
| 17   | Brake shoe complete set                 | 902097 | 2        | Incl item 14;17;18;59 |         |
| 18   | Inner hexagon screw                     | nss    | 4        | Available as 902097   |         |
| 19   | Back upper cover                        | 912218 | 2        | Incl item 19;20       |         |
| 20   | Crosshead screw                         | nss    | 2        | Available as 912218   |         |
| 21   | Locking pin                             | 902240 | 2        |                       |         |
| 22   | Wire tube for left upper element        | n/a    | 1        |                       |         |
| 23   | Upper grill plate (left side)           | n/a    | 1        |                       |         |
| 24   | Cordinlet with retention                | 912201 | 1        |                       |         |
| 25   | Powercord                               | 912027 | 1        |                       |         |
| 26   | Earth bonding screw for powercord       | n/a    | 1        |                       |         |
| 28   | Bottom grill plate                      | n/a    | 1        |                       |         |
| 30   | Housing cover upper element             | n/a    | 2        |                       |         |
| 31   | Isolation upper element                 | n/a    | 2        |                       |         |
| 32   | Heating element cover upper grill plate | n/a    | 2        |                       |         |
| 33   | Upper grill plate (right side)          | n/a    | 1        |                       |         |
| 34   | Spring clamp for wire guide tube        | n/a    | 2        |                       |         |
| 35   | Wire tube for right upper element       | n/a    | 1        |                       |         |
| 36   | Upper element                           | 904503 | 2        |                       |         |
| 37   | Spring clamp for upper axle             | n/a    | 4        |                       |         |
| 38   | Upper axle                              | n/a    | 2        |                       |         |
| 39   | Handle cover                            | 912249 | 2        |                       |         |
| 40   | Inner hexagon screw                     | nss    | 4        | Available as 912157   |         |
| 41   | Inner hexagon screw                     | nss    | 4        | Available as 912157   |         |
| 42   | Frame of handle                         | 912157 | 2        | Incl item 40;41;42    |         |
| 43   | Oil drip tray                           | 263983 | 1        |                       |         |
| 44   | Isolation lower element                 | n/a    | 1        |                       |         |
| 45   | Lower cover plate                       | n/a    | 1        |                       |         |
| 47   | Bracket for terminal                    | n/a    | 1        |                       |         |
| 48   | Crosshead screw                         | n/a    | 2        |                       |         |
| 49   | Terminal block                          | 912270 | 1        |                       |         |
| 50   | Hi-limiter                              | 902004 | 2        |                       |         |
| 51   | Hexagon screw                           | nss    | 4        | Available as 912058   |         |
| 52   | Appliance foot                          | 912058 | 4        | Incl item 51;52       |         |
| 54   | Bottom plate                            | 912256 | 1        |                       |         |
| 55   | Inner hexagon screw                     | n/a    | 4        |                       |         |
| 56   | Lower heating element                   | 904510 | 1        |                       |         |
| 57   | Heating element cover lower grill plate | n/a    | 2        |                       |         |
| 59   | Lower brake shoe                        | nss    | 2        | Available as 902097   |         |

n/a -> not available

nss -> not sold separately

**Circuit diagram**

|   |  |   |
|---|--|---|
|  <b>HENDI</b><br>Tools for Chefs<br><b>Hendi B.V.</b><br>Steenoven 21<br>3911 TX Rhenen<br>The Netherlands | <b>Batch #</b><br>000000 until<br>662004                             | <b>Appliance part#</b><br><b>263907</b> |
|   | <b>Description</b><br>Contact grill double<br>1/2 ribbed, 1/2 smooth |   |
|   | (Empty space for additional description)                             |   |

|                 |                               |                   |     |
|-----------------|-------------------------------|-------------------|-----|
| <b>Date</b>     | 20-05-2021                    | <b>Revision #</b> | 1.0 |
| <b>Revision</b> | First Bill of Materials (BOM) |                   |     |

