

Drawing



Tools for Chefs

Hendi B.V.  
Steenoven 21  
3911 TX Rhenen  
The Netherlands

Batch #

181871 and up

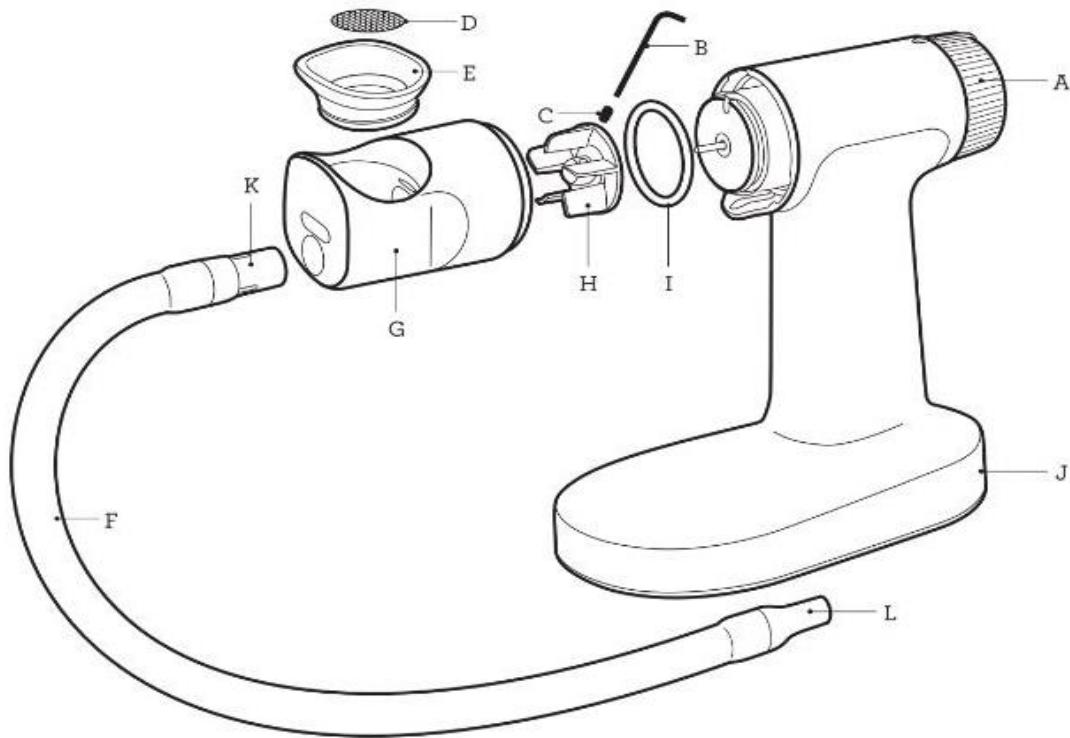
Appliance part#

199985


Description

Smoking gun pro - Sage Commercial

Date	15-04-2019	Revision #	Revision version
Revision	First bill of materials (BOM)		



### Bill of materials (BOM)

 <b style="font-size: 24pt; margin-left: 10px;">HENDI</b> <span style="font-size: 10pt; color: green; margin-left: 10px;">Tools for Chefs</span> <b>Hendi B.V.</b> Steenoven 21 3911 TX Rhenen The Netherlands	<b>Batch #</b>	<b>Appliance part#</b>
	181871 and up	<b>199985</b>
	<b>Description</b>	
<b>Smoking gun pro - Sage Commercial</b>		

<b>Date</b>	15-04-2019	<b>Revision #</b>	Revision version
<b>Revision</b>	First bill of materials (BOM)		

Item	Description	Part#	Quantity	Remark	Picture
A	Variable speed & on/off dial	n/a	1		
B	Hex key	n/a	1		
C	Set Screw M6x6mm	n/a	1		
D	Removeable mesh filter	948132	1	(Set of 5 pcs)	
E	Removeable burn chamber	948163	1		
F	Silicone hose	948149	1	Incl item K and L	
G	Barrel	948156	1		
H	Removeable metal fan	948170	1		
I	Removeable O-ring	948187	1		
J	Housing	n/a	1		
K	Connection nozzle	nss	1		
L	Smoking nozzle	nss	1		
	Battery lid	948194	1	Not shown on exploded view.	

n/a      -> not available

nss      -> not sold separately